



BAR ONE Unipod

ed. 06-2024

Standard Equipment

Integrated disc spring brake
Go Call – visual entry invitation feature
Unobstructed passage including automatic reset

Drive Mechanism

Magnetic Direct Drive

Operating Environment

Indoor
Outdoor*
-25°C to +60°C / -13°F to 140°F *

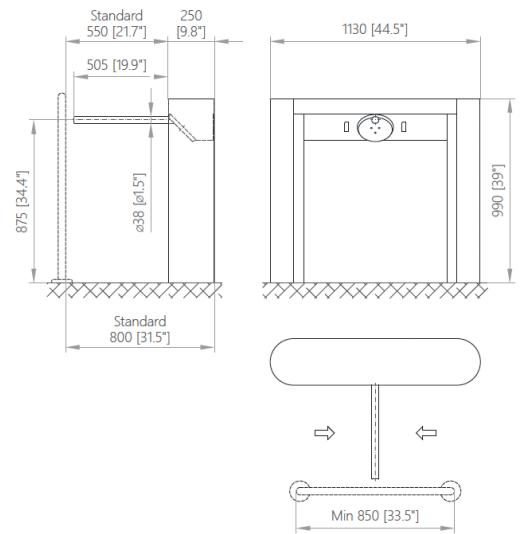
Safety & Security detection

Climb over / crawl under*
Permanently blocked mode
Emergency mode

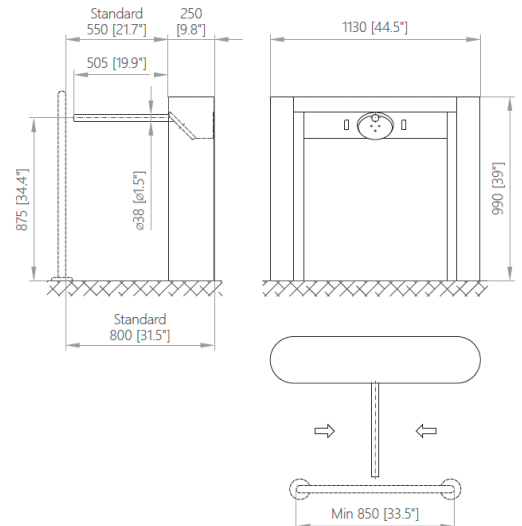
Optional Accessories

RFID reader bracket (top / flush mounted)
Access Light / Lane Light
WAV player
USB convertor / Ethernet convertor
EasyTouch / TouchPanel / T-MON sw
SuperCap (emergency power back-up)
Alternative surface finishes
Optional black glass top lid
Ramp LT
Arm protector

BAR One-G Unipod



BAR One-R Unipod



| | |
|-----------------------------------|--------------------------------------|
| Cabinet height | 990 mm / 39.0" |
| Cabinet length (BAR One-G) | 1 130 mm / 44.5" |
| Cabinet length (BAR One-R) | 990 mm / 39.0" |
| Cabinet width | 250 mm / 9.8" |
| Passage width | max 570 mm / max 22.4" |
| Cabinet | Brushed stainless steel |
| Top Lid | Brushed stainless steel |
| Barrier | Single arm / Brushed stainless steel |

*Optional



BAR ONE Tripod

ed. 06-2024

Standard Equipment

Integrated disc spring brake
Go Call – visual entry invitation feature
Unobstructed passage including automatic reset

Drive Mechanism

Magnetic Direct Drive

Operating Environment

Indoor
Outdoor*
-25°C to +60°C / -13°F to 140°F *

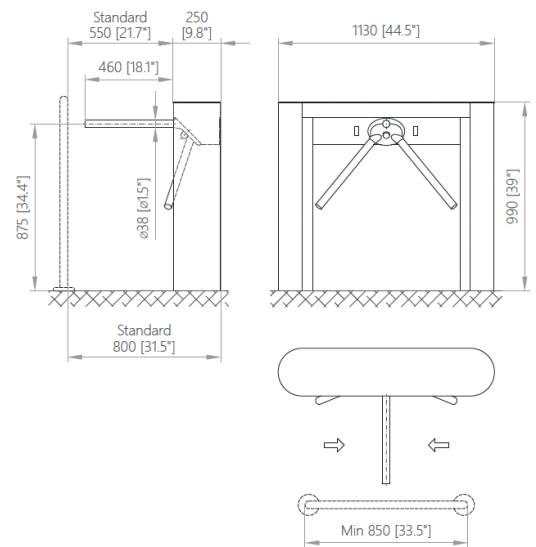
Safety & Security detection

Climb over / crawl under*
Permanently blocked mode
Emergency mode

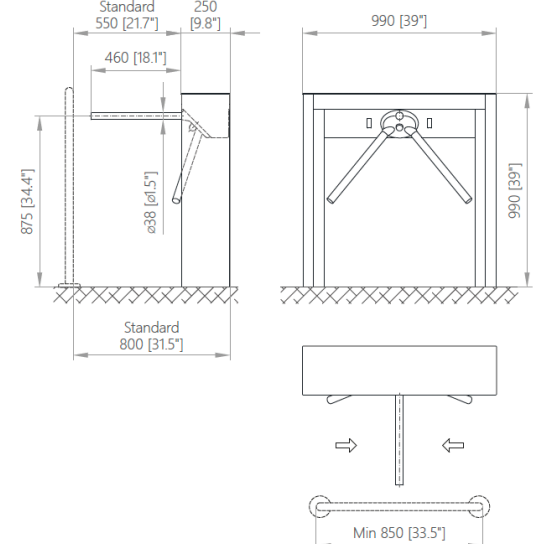
Optional Accessories

RFID reader bracket (top / flush mounted)
Access Light / Lane Light
WAV player
USB convertor / Ethernet convertor
EasyTouch / TouchPanel / T-MON sw
SuperCap (emergency power back-up)
Alternative surface finishes
Optional black glass top lid
Ramp LT
Arm protector

BAR One-G Tripod



BAR One-R Tripod



| | |
|-----------------------------------|---------------------------------------|
| Cabinet height | 990 mm / 39.0" |
| Cabinet length (BAR One-G) | 1 130 mm / 44.5" |
| Cabinet length (BAR One-R) | 990 mm / 39.0" |
| Cabinet width | 250 mm / 9.8" |
| Passage width | max 570 mm / max 22.4" |
| Cabinet | Brushed stainless steel |
| Top Lid | Brushed stainless steel |
| Barrier | Tripod arms / Brushed stainless steel |

*Optional



BAR ONE Tripod DropArm

Standard Equipment

Integrated disc spring brake
Go Call – visual entry invitation feature
Unobstructed passage including automatic reset
DropArm mechanism

Drive Mechanism

Magnetic Direct Drive

Operating Environment

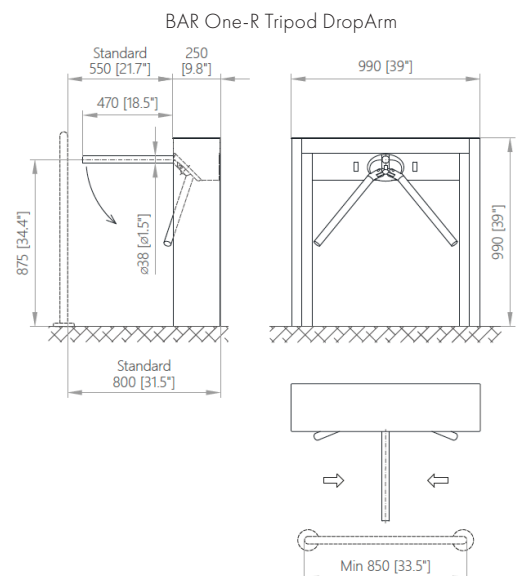
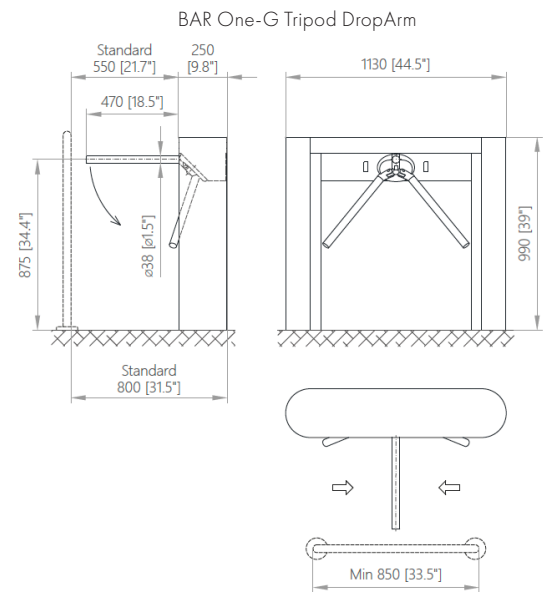
Indoor
Outdoor*
-25°C to +60°C / -13°F to 140°F *

Safety & Security detection

Climb over / crawl under*
Permanently blocked mode
Emergency mode

Optional Accessories

RFID reader bracket (top / flush mounted)
Access Light / Lane Light
WAV player
USB convertor / Ethernet convertor
EasyTouch / TouchPanel / T-MON sw
SuperCap (emergency power back-up)
Alternative surface finishes
Optional black glass top lid
Ramp LT
Arm protector



| | |
|-----------------------------------|---------------------------------------|
| Cabinet height | 990 mm / 39.0" |
| Cabinet length (BAR One-G) | 1 130 mm / 44.5" |
| Cabinet length (BAR One-R) | 990 mm / 39.0" |
| Cabinet width | 250 mm / 9.8" |
| Passage width | max 570 mm / max 22.4" |
| Cabinet | Brushed stainless steel |
| Top Lid | Brushed stainless steel |
| Barrier | Tripod arms / Brushed stainless steel |

*Optional